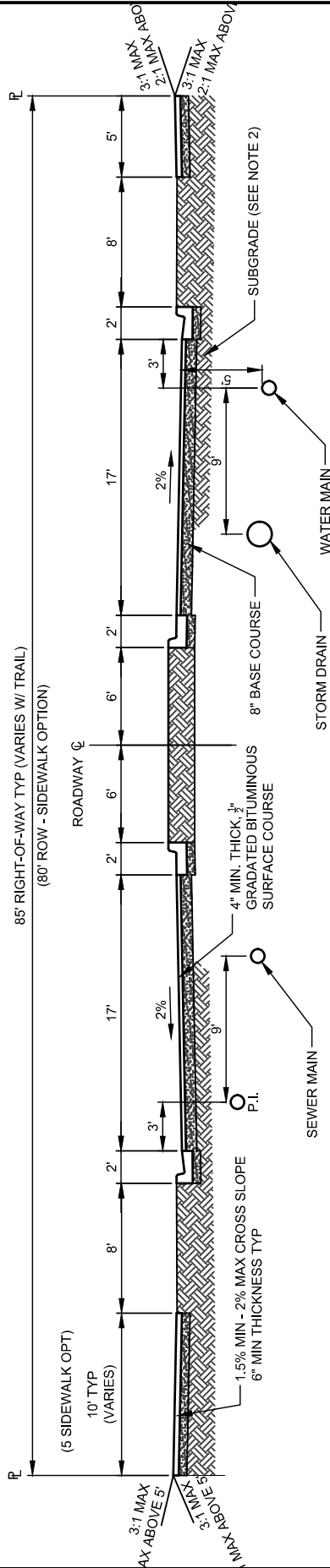


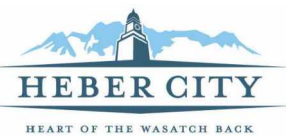
MINOR COLLECTOR



MAJOR COLLECTOR

NOTES FOR COLLECTOR STREETS:

1. MAJOR COLLECTOR ROADS INCLUDE EITHER LANDSCAPED MEDIANS OR CENTER TURN LANES. RESIDENTIAL DRIVEWAYS ARE PROHIBITED. LANDSCAPED MEDIANS ASSUME NO PARKING. ASPHALT WIDTHS MAY BE REDUCED TO 48' WITH PARKING OR 38' WITHOUT PARKING WHEN LANDSCAPED MEDIANS ARE OMITTED.
2. SUBGRADE SHALL BE A-1 GRANULAR MATERIAL PER SECTION 02225.
3. COMMERCIAL SIDEWALK TO BE FIVE FEET WIDE MINIMUM.
4. PARK STRIPS TO BE FILLED TO WITHIN ONE INCH OF T.B.C. AND TOP OF SIDEWALK.
5. WHERE HEBER CITY APPROVES INSTALLING A TRAIL OR SIDEWALK ON ONLY ONE SIDE, THE FULL RIGHT-OF-WAY DEDICATION IS STILL REQUIRED TO ALLOW FOR FUTURE INSTALLATION OF SIDEWALK.
6. TRAIL AND SIDEWALK OPTIONS ARE DETERMINED BY HEBER CITY ACCORDING TO THE CURRENT TRAILS MASTER PLAN.



DATE:	6/20
SCALE:	N.T.S.
75 NORTH MAIN STREET HEBER CITY, UTAH 84032 (435) 654-0757	

MINOR COLLECTOR

STREETS-2A