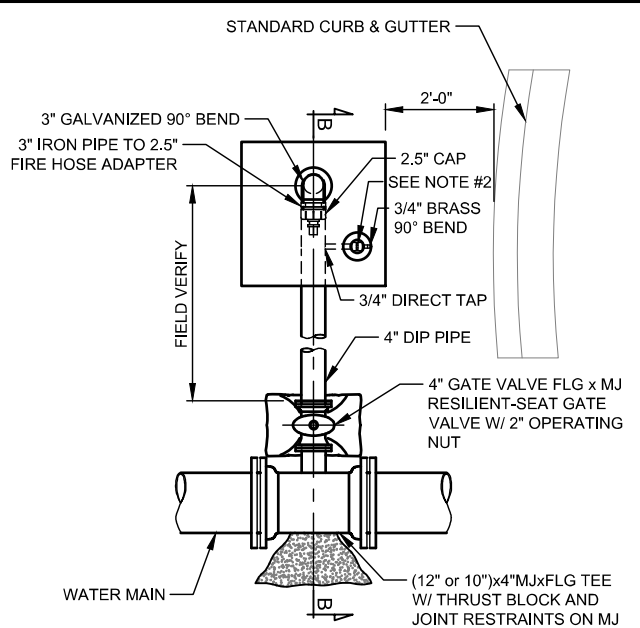


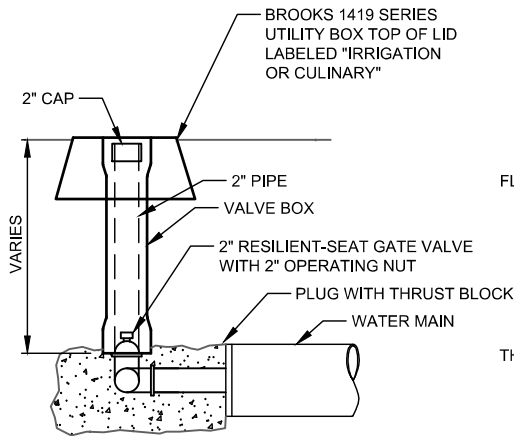
- NOTES:**
1. ALL PIPE TO BE GALVANIZED AFTER FABRICATION.
  2. 2" RESILIENT-SEAT GATE VALVE WITH 2" OPERATING NUT.

**PLAN**



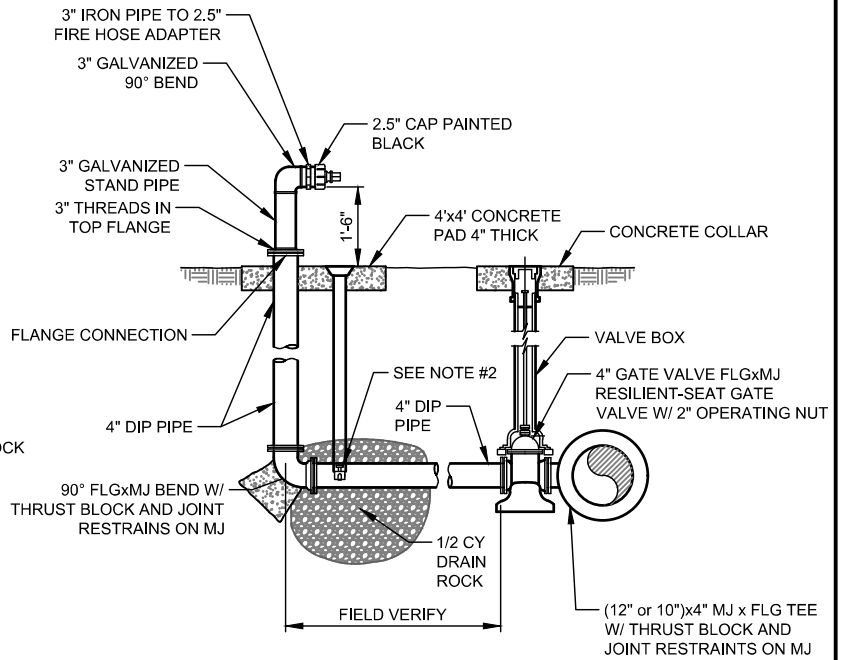
- NOTES:**
1. CONTRACTOR SHALL INSTALL WATER SAMPLING SPIGOT AS NEEDED DURING CONSTRUCTION FOR BACTERIA TESTING AND CHLORINE RESIDUAL TESTING.
  2. 3/4" MUELLER BALL VALVE W/ EXTENSION TYPE CURB BOX W/ MINNEAPOLIS PUTTON BASE (H-10332-60) OR 3/4" (FORD B41-333QM) BALL VALVE W/ ATTACHMENT ROD (EM2-60-4654R)
  3. ALL VALVE NUT EXTENSIONS SHALL BE PINNED OR OTHERWISE LOCKED TO THE VALVE NUT.

**PLAN**



**SECTION A-A**

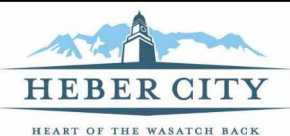
**TEMPORARY BLOWOFF  
FLUSH VALVE**



**SECTION B-B**

**PERMANENT BLOWOFF  
FLUSH VALVE**

H:\Heber City\Std Dwg\2023 September\Std Dwg\WATER\_8\_Updated.dwg - Blowoff - 9/07/2023 03:44pm - natalier



DATE: 04/22  
SCALE: N.T.S.  
75 NORTH MAIN STREET  
HEBER CITY, UTAH 84032  
(435) 654-0757

**TEMPORARY & PERMANENT BLOWOFF FLUSH VALVE**

**WATER-8**