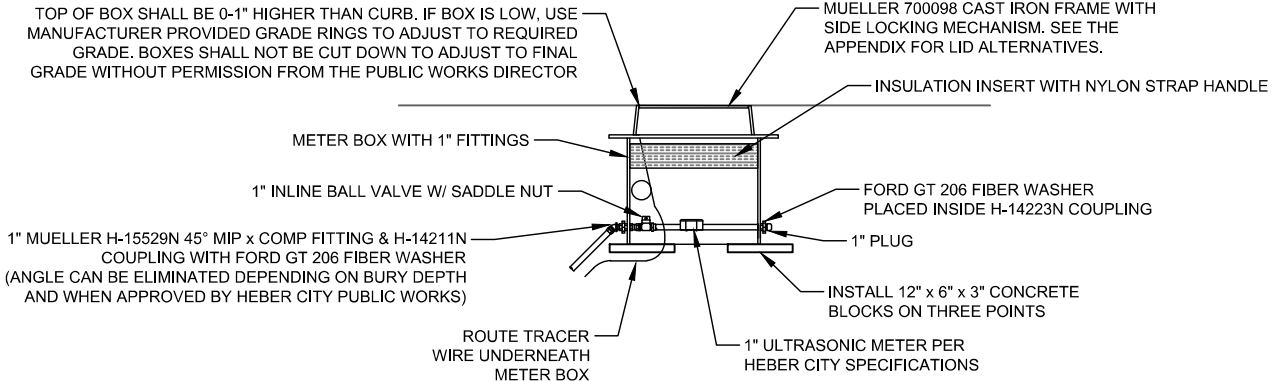


TABLE 1			
SERVICE LINE SIZE	MIN. BOX SIZE	BOX MODEL	LID / FRAME MODEL
1" MINIMUM	18" x 18"	SEE APPENDIX FOR ALTERNATIVES	SEE APPENDIX FOR ALTERNATIVES
1.5"	27" x 24"	500IS2724FAB000666N	DFW18MR-1BF1 SML IRR / 700098-1
2"	36" x 36"	550IS3636FAB000666N	SAME AS ABOVE w/ 790138 EXP RING

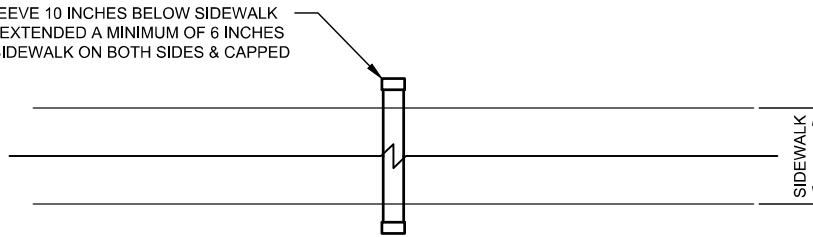
NOTE 1: FOR LARGER SIZES CONTACT PUBLIC WORKS FOR REQUIREMENTS.

NOTE 2: SEE APPENDIX A FOR ADDITIONAL APPROVED ALTERNATES.

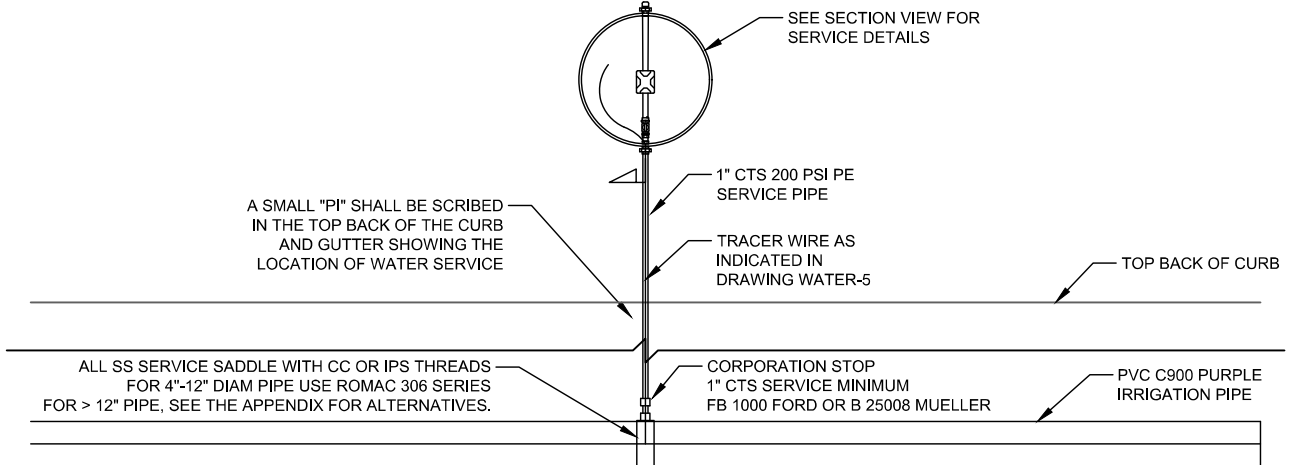


SECTION VIEW

4 INCH SLEEVE 10 INCHES BELOW SIDEWALK SURFACE, EXTENDED A MINIMUM OF 6 INCHES PAST THE SIDEWALK ON BOTH SIDES & CAPPED



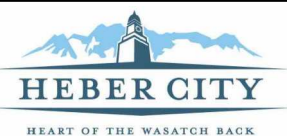
SECTION



NOTES:

1. ALL COMPONENTS SHOWN TO BE FURNISHED AND INSTALLED BY DEVELOPER AND CONFORM TO AWWA C800.
2. ALL BOXES SHALL BE EQUIPPED WITH UNIONS.
3. STAINLESS STEEL STIFFENERS ON ALL POLY CONNECTIONS.
4. METER BOXES ALLOWED WITHIN DRIVEWAY ZONE ONLY WITH PRIOR APPROVAL FROM PUBLIC WORKS DIRECTOR.
5. WHEN METER BOXES ARE INSTALLED WITHIN DRIVEWAY ZONES OR WITHIN OTHER PAVED SURFACES, DIFFERENT TRAFFIC RATED LIDS & FRAMES MAY BE REQUIRED PER THE DIRECTION OF THE PUBLIC WORKS DIRECTOR.
6. IRRIGATION METER CAN BE LOCATED IN THE MIDDLE OF THE PLANTER STRIP OR BETWEEN SIDEWALK AND PROPERTY LINE (FOR COMBINATION SIDEWALK) OR AS DIRECTED BY ENGINEER. 4" SLEEVE REQUIRED ON ALL INSTALLATIONS INCLUDING EXISTING SIDEWALK.
7. IRRIGATION SERVICE SHOULD CONNECT DIRECTLY TO THE MAIN LINE AND NOT "TEE" OFF OF SERVICE LINES.
8. METER CAN SHALL BE COMPLETELY BACKFILLED WITH COMPACTED 3" MINUS GRANULAR MATERIAL FROM TOP TO BOTTOM.
9. BEDDING OF ALL PIPE SHALL CONFORM TO HEBER CITY BEDDING STANDARDS FOR CULINARY WATER.
10. METER FEE WILL BE ASSESSED WITH BUILDING PERMIT OR AT TIME OF METER INSTALLATION.

H:\Heber City\Std Dwg\2023 September\Std Dwg\IRRIGATION-IB_Updated.dwg - Irr Serv 1 Lot - 9/07/2023 03:40pm - natalier



DATE: 09/23
 SCALE: N.T.S.
 75 NORTH MAIN STREET
 HEBER CITY, UTAH 84032
 (435) 654-0757

IRRIGATION SERVICE - ONE LOT

IRR-1B