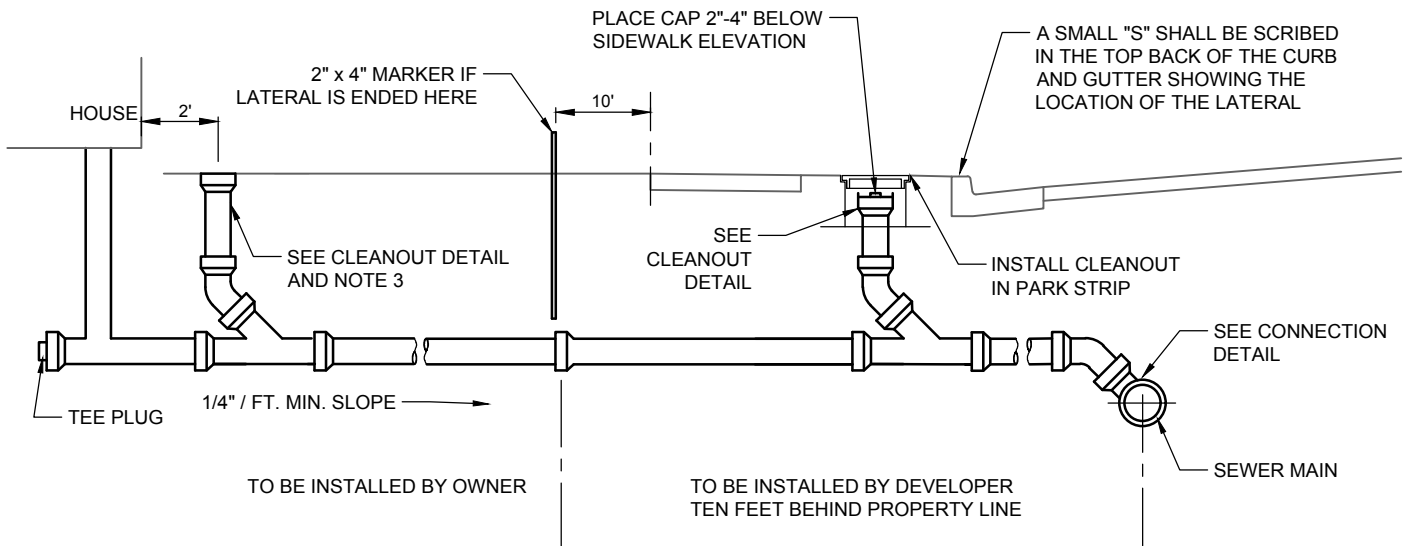


CLEANOUT DETAIL

**CONNECTION DETAIL
ON EXISTING MAIN LINES
(SEE NOTE 6)**



NOTES:

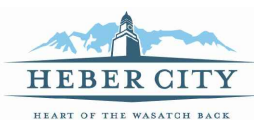
1. PIPE GRAPHICS DO NOT NECESSARILY INDICATE TYPE OF PIPE TO BE USED.
2. ALL PVC SEWER LATERAL PIPE AND FITTINGS WITHIN THE R.O.W. SHALL BE A MINIMUM OF SDR-26.
3. MAXIMUM SPACING BETWEEN CLEANOUTS IS 100' AND AT ALL BENDS.
4. MAXIMUM ALLOWED BEND IN LATERAL IS 22 1/2 DEGREES.
5. SEWER & WATER LATERALS ARE PROHIBITED IN COMMON TRENCH PER STATE CODE R 309-550-7.
6. "INSERTA TEE" MAY BE USED FOR CERTAIN CONDITIONS WITH PRIOR CITY ENGINEER APPROVAL.
7. WHEN APPROVED, "INSERTA TEE" INSTALLATION MUST BE WITNESSED, INSPECTED AND CERTIFIED BY AUTHORIZED CITY AGENTS
8. IN CERTAIN AREAS WHERE CONCERN FOR SEWER BACKUP EXISTS, A SEWER BACKFLOW PREVENTER (RECTORSEAL 97034) SHALL BE REQUIRED.

SEWER LATERAL & DETAILS

V:\ENGR\Sub\Spec\Spec\2019\DWG Files\SEWER-1.dwg - 85x11 - 1/10/2019 01:50pm. frnk

HORROCKS ENGINEERS
 728 WEST 100 SOUTH #2
 HEBER CITY, UTAH 84032
 (435) 654-2226

DATE: FEBRUARY 2019
 SCALE: N.T.S.
 75 NORTH MAIN STREET
 HEBER CITY, UTAH 84032
 (435) 654-0757



**HEBER CITY
STANDARD DRAWING**

SEWER-1