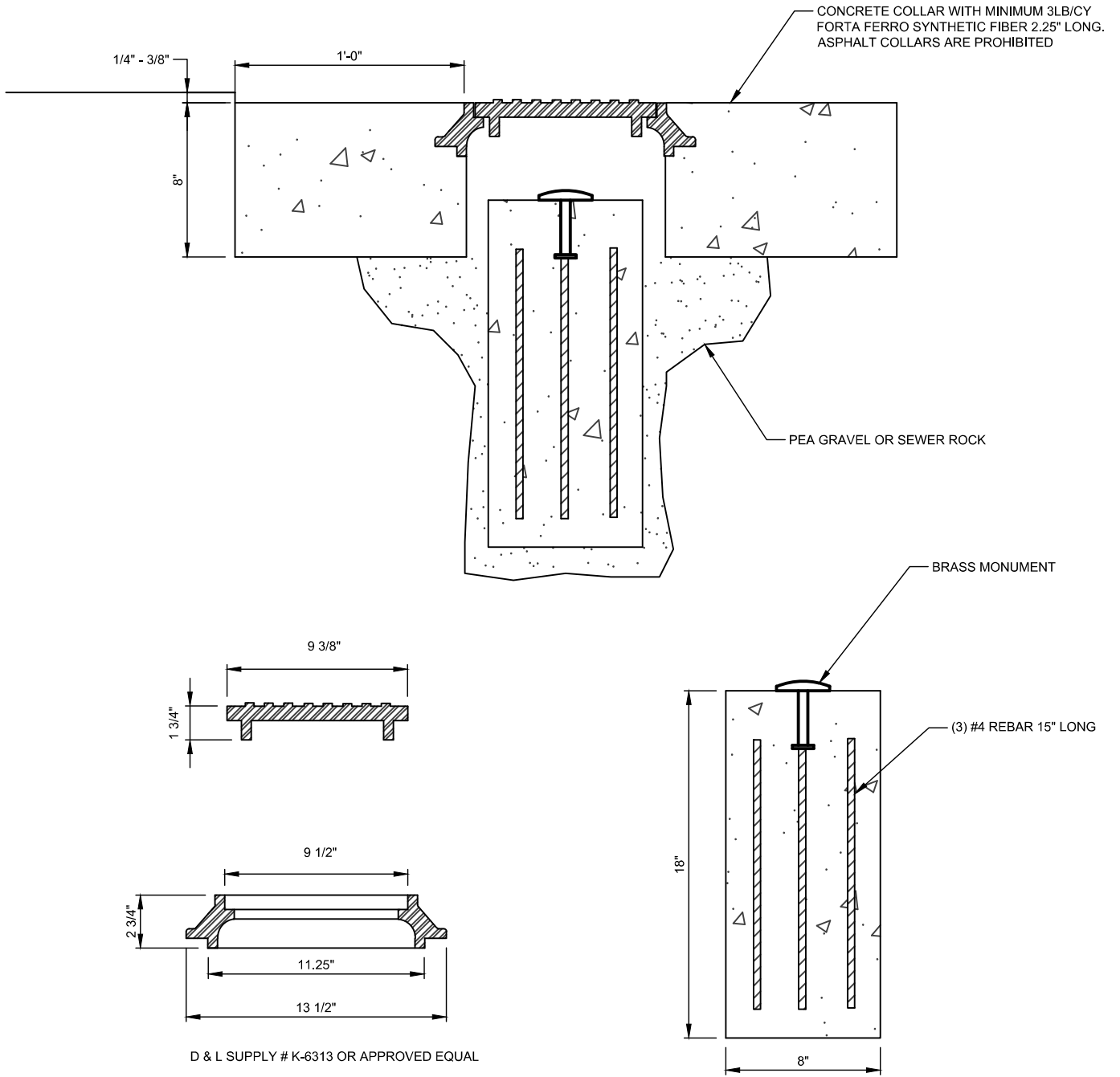
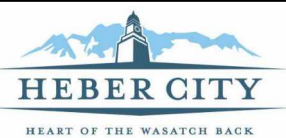


H:\Heber City\Std Dwg\2023 September\Std Dwg\STREETS-11.dwg - Survey - 9/07/2023 03:42pm - natalier



NOTES:

1. CAP SHOULD BE MARKED WITH CROSS ON WHICH LOCATION CORRESPONDS WITH RECORD OF SURVEY FILED WITH THE COUNTY.
2. CONCRETE BASE FOR THE SURVEY MONUMENT SHOULD BE INDEPENDENT OF CONCRETE COLLAR OF LID TO MINIMIZE VIBRATIONS TO MONUMENT.
3. CONCRETE BASE SHOULD BE INSTALLED USING PEA GRAVEL OR SEWER ROCK.
4. CONCRETE COLLAR TO HAVE TWO #4 BAR CONTINUOUS AROUND COLLAR WITH 12" OVERLAP.
5. CONCRETE COLLAR SHOULD BE 1/4" LOWER THAN SURROUNDING PAVEMENT.
6. LOCATE AT CENTERLINE OF INTERSECTIONS AND CUL-DE-SACS



DATE: 03/17
 SCALE: N.T.S.
 75 NORTH MAIN STREET
 HEBER CITY, UTAH 84032
 (435) 654-0757

SURVEY MONUMENTS

STREETS-11