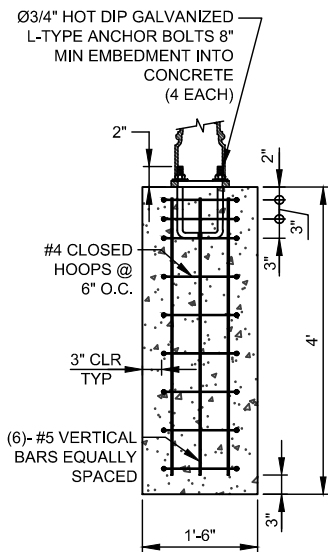
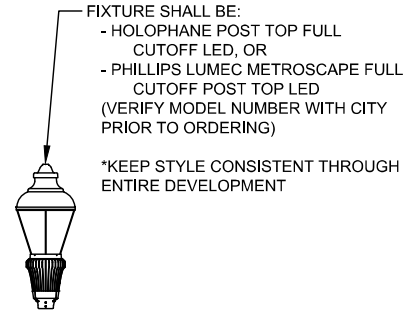


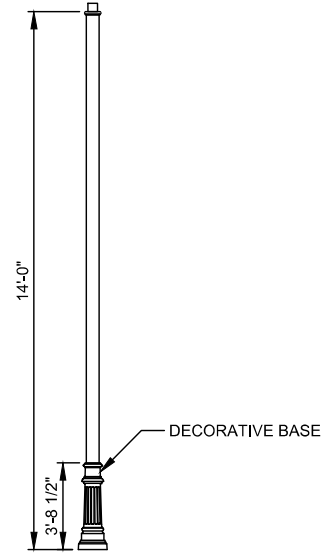
BASE PLATE DETAIL



CONCRETE BASE



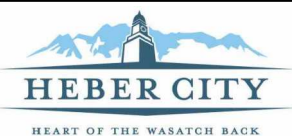
FIXTURE SHALL BE:
 - HOLOPHANE POST TOP FULL CUTOFF LED, OR
 - PHILLIPS LUMEC METROSCAPE FULL CUTOFF POST TOP LED
 (VERIFY MODEL NUMBER WITH CITY PRIOR TO ORDERING)
 *KEEP STYLE CONSISTENT THROUGH ENTIRE DEVELOPMENT



NOTES:

1. RESIDENTIAL POLES SHALL BE FLUTED OR SMOOTH ALUMINUM WITH BLACK FINISH.
2. LOADING CAPACITY OF POLE SHALL BE 100 POUND RATED FOR A STEADY WIND OF 90 MPH MINIMUM.
3. CONCRETE BASES SHALL BE BACKFILLED WITH SUITABLE MATERIAL COMPACTED TO 95 PERCENT.
4. CONCRETE BASES SHALL INCLUDE CONDUIT AND GROUNDING WIRE PER HEBER LIGHT & POWER REQUIREMENTS.
5. CONCRETE COMPRESSIVE STRENGTH (f_c) SHALL BE 4000 PSI.
6. THE TOP OF CONCRETE BASES SHALL BE BETWEEN 1 AND 3 INCHES ABOVE GRADE.

H:\Heber City\Std Dwgs\2023 September\Std Dwgs\STREETS-12.dwg - Lights Res Ind Com - 9/07/2023 03:42pm, natalier



DATE:	06/21
SCALE:	N.T.S.
75 NORTH MAIN STREET HEBER CITY, UTAH 84032 (435) 654-0757	

STREET LIGHTING

STREETS-12