

TOP OF BOX SHALL BE 0-1" HIGHER THAN CURB. IF BOX IS LOW, USE MANUFACTURER PROVIDED GRADE RINGS TO ADJUST TO REQUIRED GRADE. BOXES SHALL NOT BE CUT DOWN TO ADJUST TO FINAL GRADE WITHOUT PERMISSION FROM THE PUBLIC WORKS DIRECTOR

A SMALL "W" SHALL BE SCRIBED IN THE TOP BACK OF THE CURB AND GUTTER SHOWING THE LOCATION OF WATER SERVICE

CENTER SERVICE LINE ON SIDE PROPERTY LINE. INSTALL BOX 18 INCHES MIN BEHIND TBC. WHERE ADDITIONAL SPACE IS AVAILABLE, CENTER METER BOX IN PARK STRIP.

ALL STAINLESS STEEL SERVICE SADDLE FOR 4"-12" DIAM PIPE USE ROMAC 306 SERIES FOR >12" PIPE, SEE THE APPENDIX FOR ALTERNATIVES.

TRACER WIRE AS INDICATED IN WATER-5

CORPORATION STOP
CC OR IPS THREAD
1 1/2" CTS SERVICE MINIMUM
1 1/2" FB 1000 FORD CORP OR
1 1/2" B 25008 MUELLER CORP

1 1/2" SDR9 CTS POLY
200 PSI SERVICE

BOX SHALL BE INSTALLED WITH NOT MORE THAN A 0.25" DEVIATION FROM ROUND. METER SETTER SHALL FREELY SLIDE UP AND DOWN.

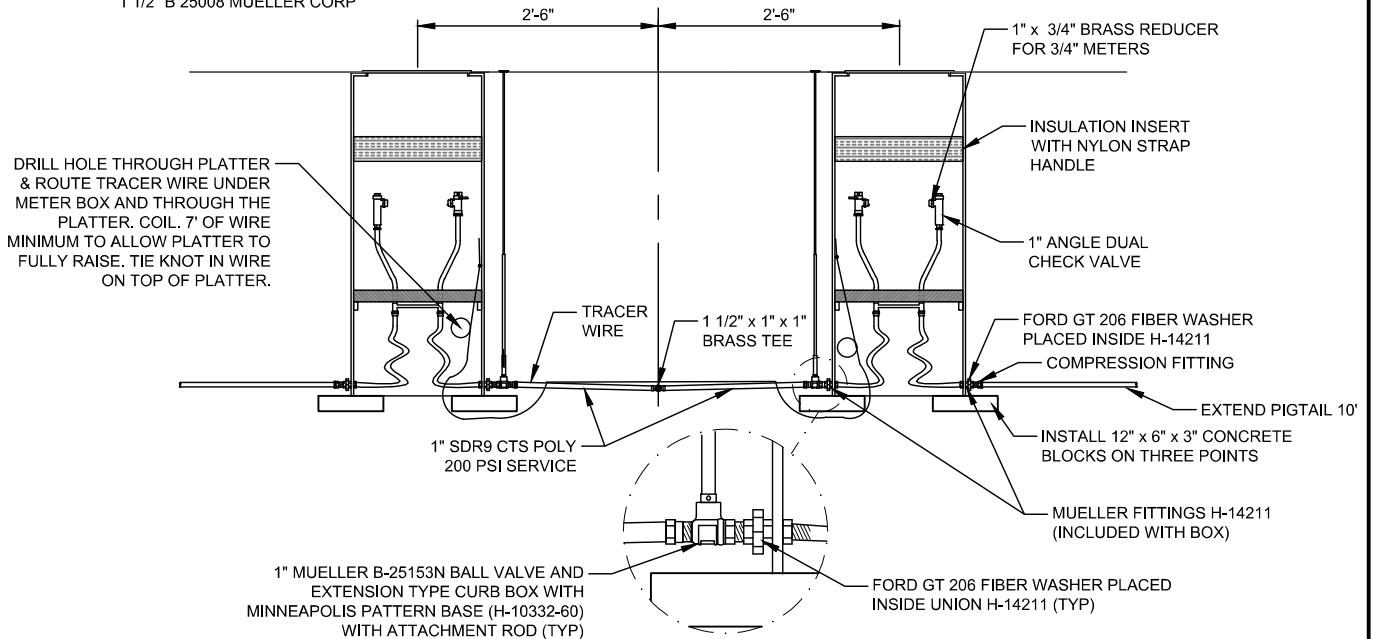
LID W/ AUTOMATED SENSOR HOLES AND SIDE LOCKING MECHANISM. SET TO GRADE. SEE THE APPENDIX FOR ALTERNATIVES.

THERMAL-COIL 60" COMBINATION METER BOX WITH 1" FITTINGS SEE THE APPENDIX FOR ALTERNATIVES. FOR LARGER SERVICE SIZES, USE A SINGLE SERVICE.

3" THICK INSULATION INSERT WITH NYLON STRAP HANDLE

1 1/2" x 1" x 1" BRASS TEE

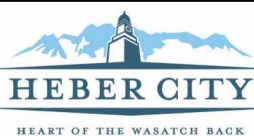
INSTALL 12" x 6" x 3" CONCRETE BLOCKS ON THREE POINTS



NOTES:

- METER BOX, COVER, COPPER SETTER, CORPORATION STOP, & SERVICE LINES TO BE FURNISHED AND INSTALLED BY DEVELOPER AND CONFORM TO AWWA C800.
- STAINLESS STEEL STIFFENERS ON ALL POLY CONNECTIONS.
- METER BOXES ALLOWED WITHIN DRIVEWAY ZONE ONLY WITH PRIOR APPROVAL FROM PUBLIC WORKS DIRECTOR.
- WATER METER WILL BE INSTALLED BY HEBER CITY.
- SEE UTILS-3 FOR PLAN VIEW.
- WATER METER CAN TO BE LOCATED IN THE MIDDLE OF THE PLANTER STRIP OR BETWEEN SIDEWALK AND PROPERTY LINE (FOR COMBINATION SIDEWALK) OR AS DIRECTED BY ENGINEER.
- WATER SERVICE SHOULD CONNECT DIRECTLY TO THE MAIN LINE AND NOT "TEE" OFF FIRE HYDRANT LINE OR SERVICE LINES.
- WATER METER CAN SHALL BE COMPLETELY BACKFILLED WITH COMPACTED 3" MINUS GRANULAR MATERIAL FROM TOP TO BOTTOM.
- ANY NIPPLES USED IN SERVICE SHALL BE STAINLESS STEEL.
- METER FEE WILL BE ASSESSED WITH BUILDING PERMIT OR AT TIME OF METER INSTALLATION.
- SEE APPENDIX A FOR ADDITIONAL APPROVED ALTERNATES.

H:\Heber City\Std Dwg\2023 September\Std Dwg\WATER-6A_Updated.dwg -- Service 2 Lots -- 9/07/2023 03:44pm, natalier



DATE: 09/23
SCALE: N.T.S.
75 NORTH MAIN STREET
HEBER CITY, UTAH 84032
(435) 654-0757

WATER SERVICE - TWO LOTS

WATER-6A