

# ACCESSIBLE RESTROOM FIXTURES

Requirements for:

Clearance between sink and toilet space

Side wall separation

Bowl height

Grab bars

Toilet paper dispenser location

Sink height and clearance

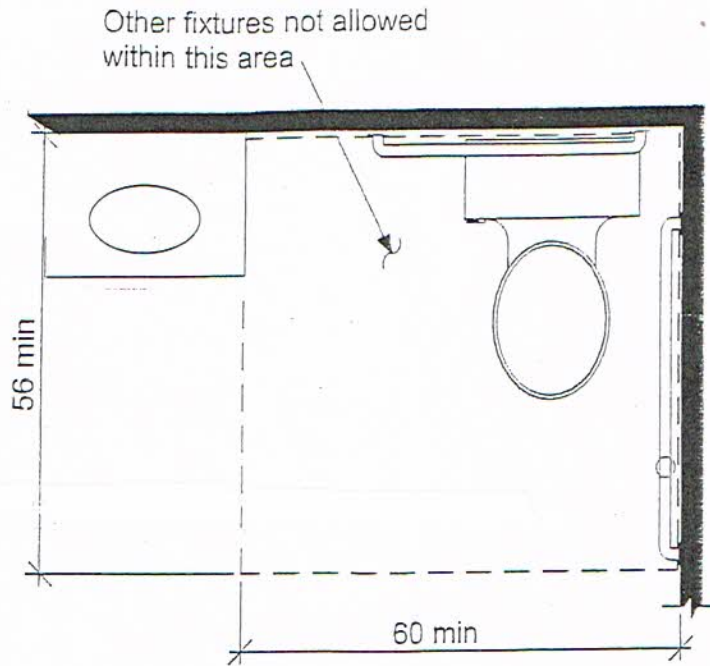


Fig. 604.3  
Size of Clearance for Water Closet

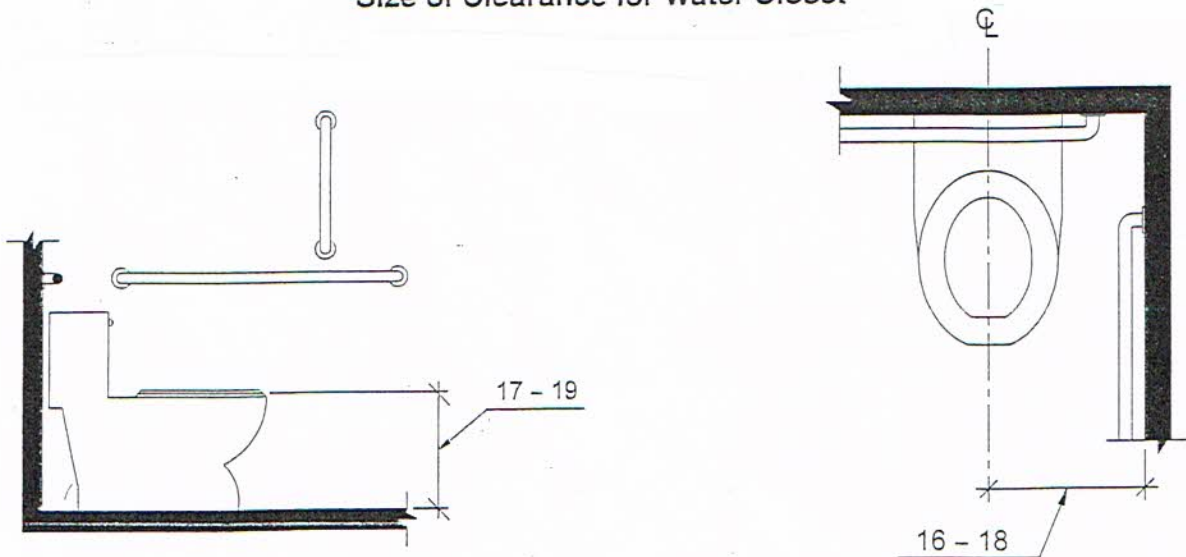


Fig. 604.4  
Water Closet Height

(a) Accessible Water Closets

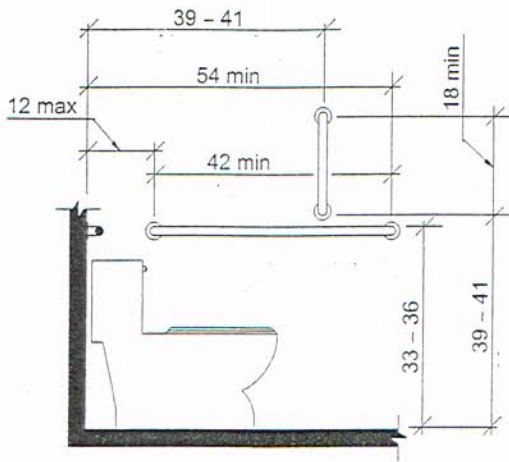


Fig. 604.5.1  
Side Wall Grab Bar for Water Closet

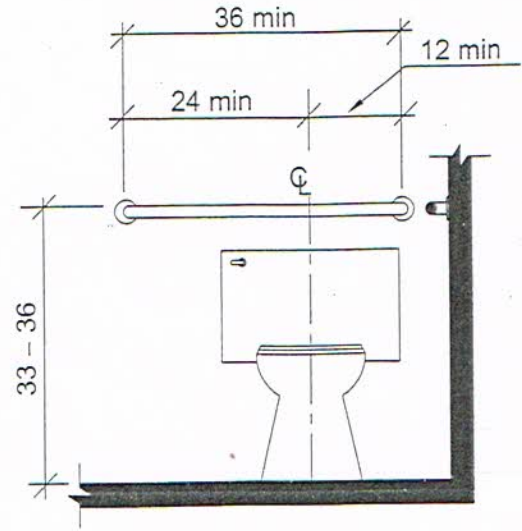
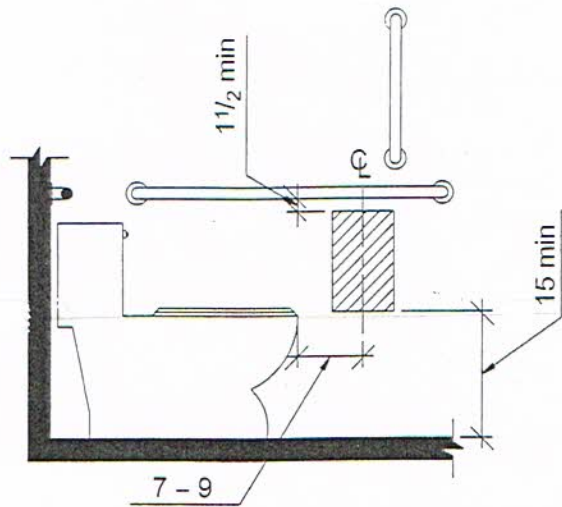
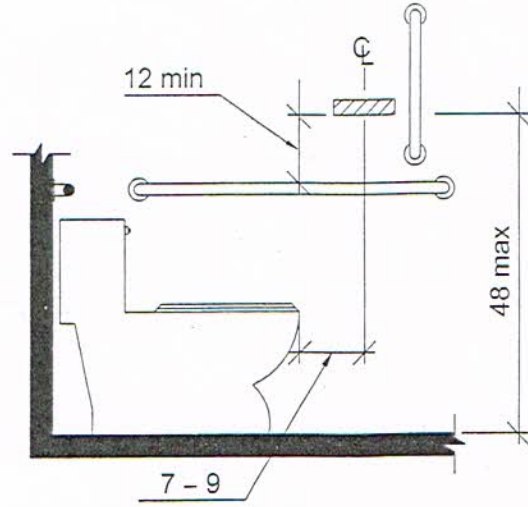


Fig. 604.5.2  
Rear Wall Grab Bar for Water Closet



(a) Below Grab Bar



(b) Above Grab Bar

Fig. 604.7  
Dispenser Location

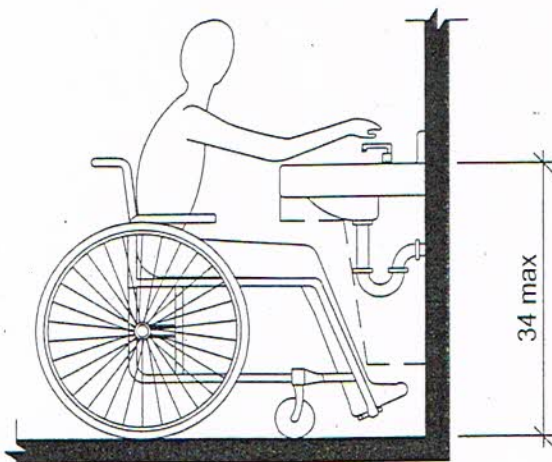


Fig. 606.3  
Height of Lavatories and Sinks

