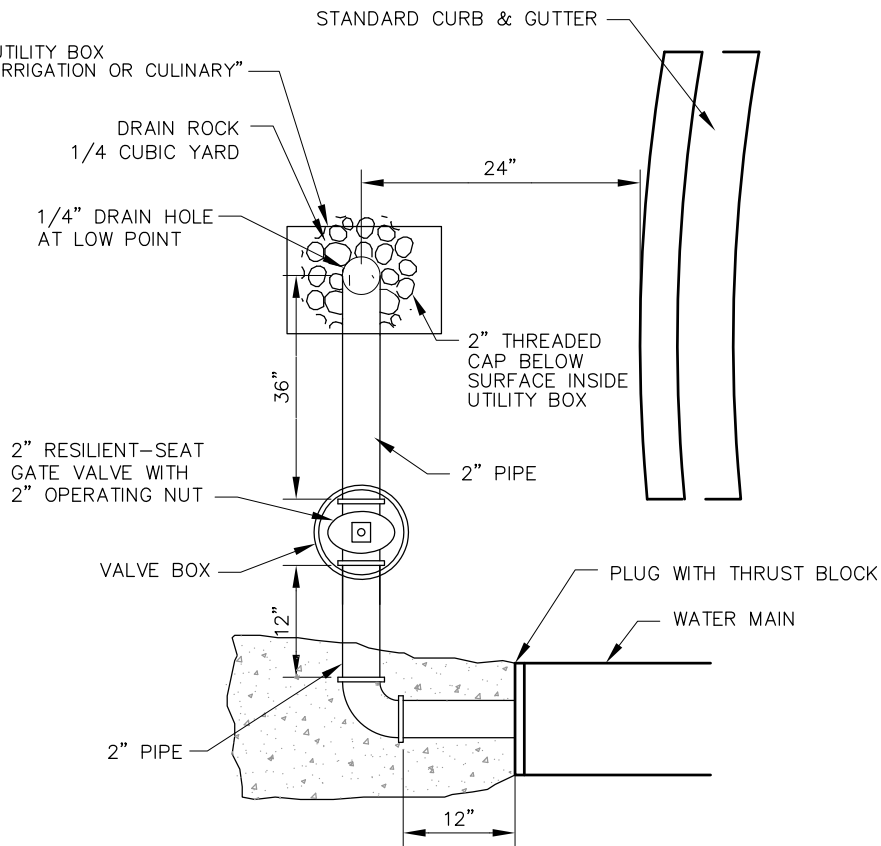
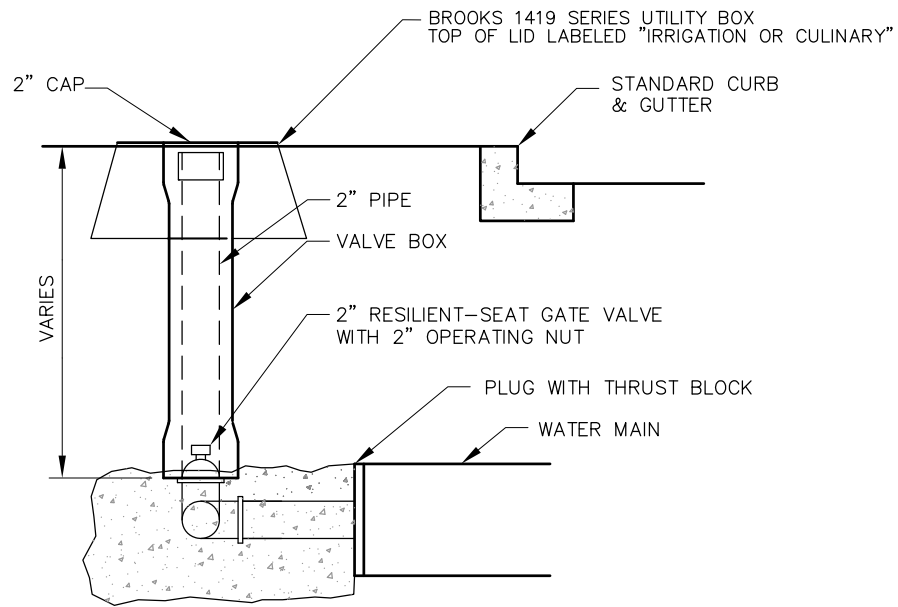


BROOKS 1419 SERIES UTILITY BOX
TOP OF LID LABELED "IRRIGATION OR CULINARY"



Note: All pipe to be galvanized after fabrication.

PLAN VIEW



PROFILE

BLOWOFF / FLUSH VALVE

N.T.S.