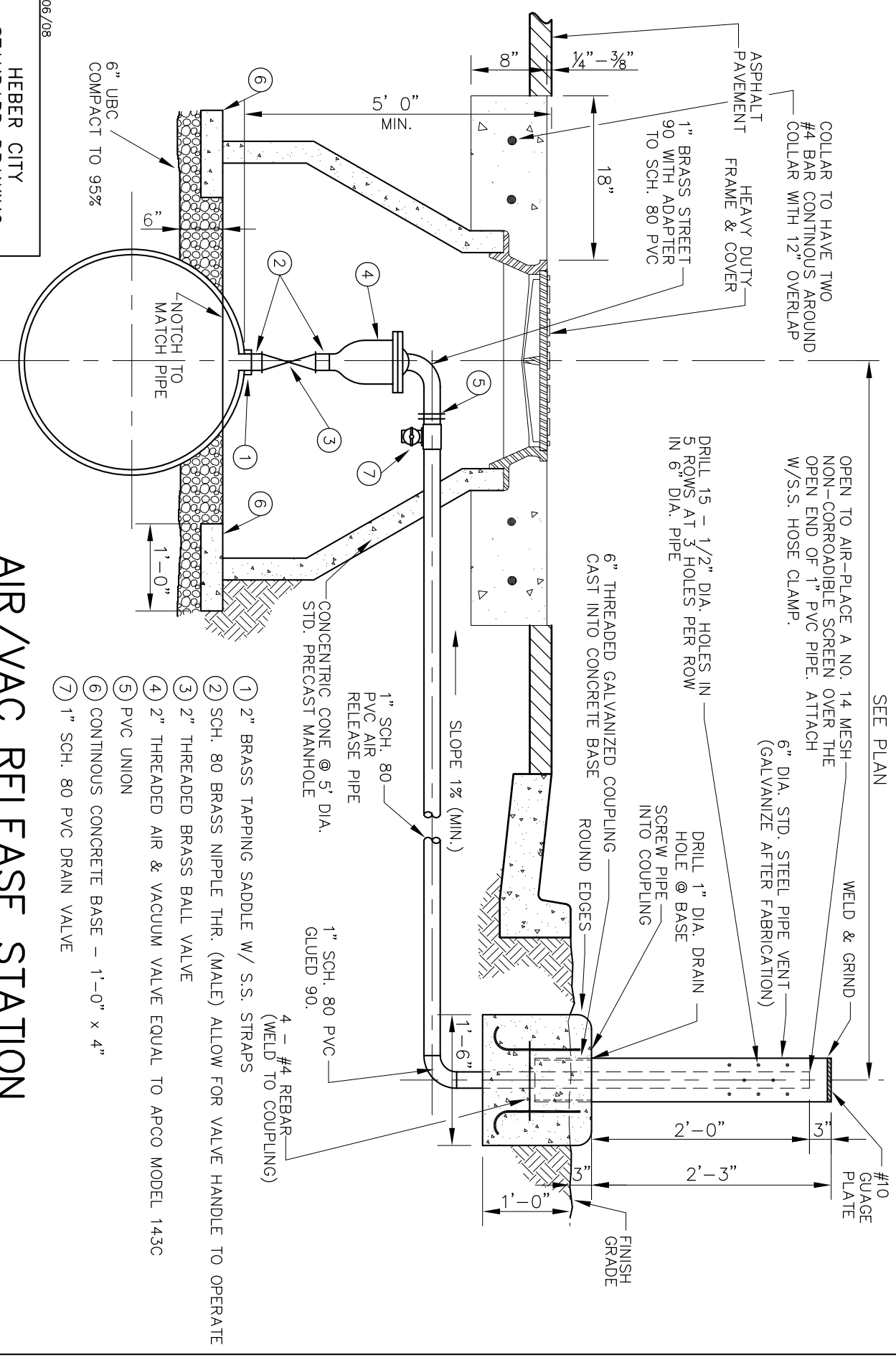


NOTE: PLEASE SEE SECTION 2668 FOR PLACEMENT LOCATION.



SEE PLAN

OPEN TO AIR-PLACE A NO. 14 MESH NON-CORRODABLE SCREEN OVER THE OPEN END OF 1" PVC PIPE. ATTACH W/S.S. HOSE CLAMP.

6" DIA. STD. STEEL PIPE VENT (GALVANIZE AFTER FABRICATION)

DRILL 15 - 1/2" DIA. HOLES IN 5 ROWS AT 3 HOLES PER ROW IN 6" DIA. PIPE

DRILL 1" DIA. DRAIN HOLE @ BASE
SCREW PIPE INTO COUPLING

6" THREADED GALVANIZED COUPLING CAST INTO CONCRETE BASE

ROUND EDGES

ASPHALT PAVEMENT
HEAVY DUTY FRAME & COVER
1" BRASS STREET 90 WITH ADAPTER TO SCH. 80 PVC
COLLAR TO HAVE TWO #4 BAR CONTINUOUS AROUND COLLAR WITH 12" OVERLAP

#10 GUAGE PLATE

FINISH GRADE

SLOPE 1% (MIN.)

CONCENTRIC CONE @ 5' DIA. STD. PRECAST MANHOLE

1" SCH. 80 PVC GLUED 90.

4 - #4 REBAR (WELD TO COUPLING)

- ① 2" BRASS TAPPING SADDLE W/ S.S. STRAPS
- ② SCH. 80 BRASS NIPPLE THR. (MALE) ALLOW FOR VALVE HANDLE TO OPERATE
- ③ 2" THREADED BRASS BALL VALVE
- ④ 2" THREADED AIR & VACUUM VALVE EQUAL TO APCO MODEL 143C
- ⑤ PVC UNION
- ⑥ CONTINUOUS CONCRETE BASE - 1'-0" x 4"
- ⑦ 1" SCH. 80 PVC DRAIN VALVE

06/08

HEBER CITY
STANDARD DRAWING
WATER- 7

AIR/VAC RELEASE STATION