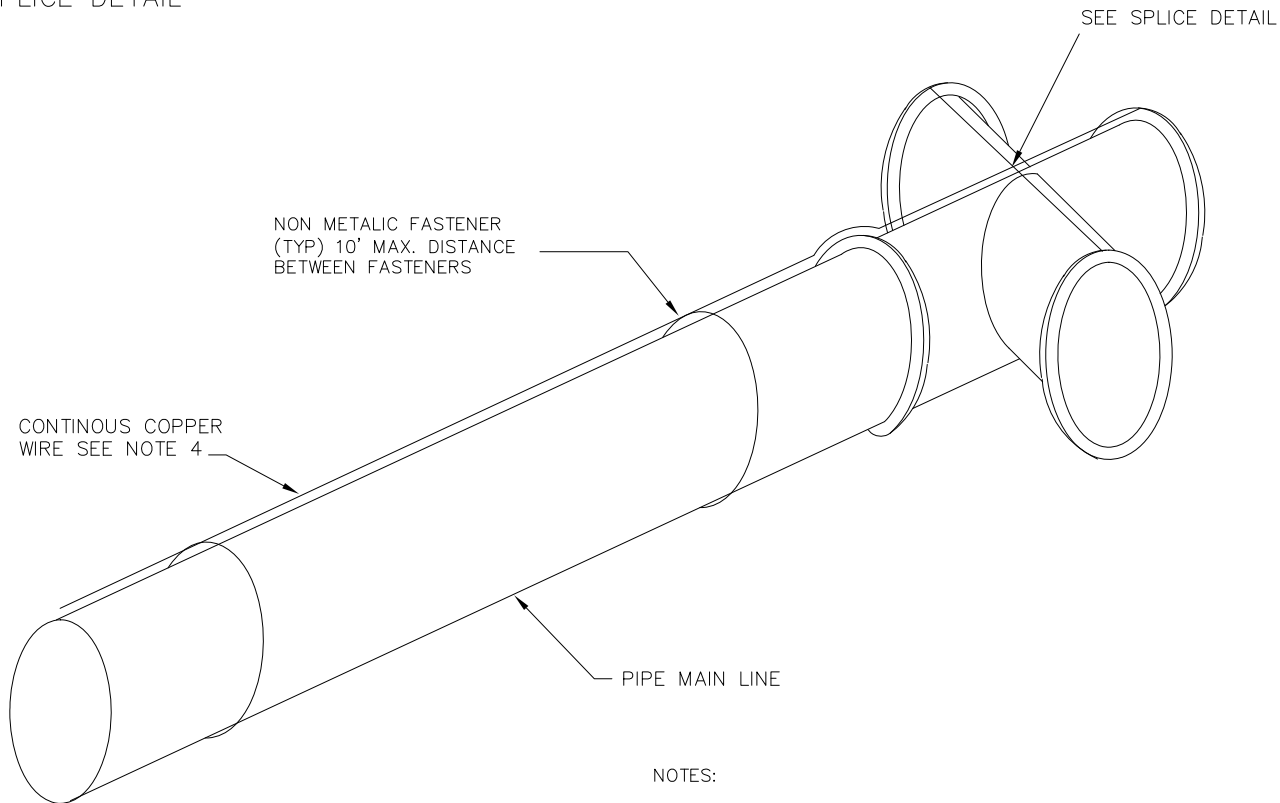


SPLICE DETAIL



NOTES:

1. COPPER TRACER WIRE TO BE INSTALLED THE LENGTH OF PIPELINE AND EACH CULINARY SERVICE, AND SECONDARY SERVICE, ALONG EACH PRESSURIZED IRRIGATION PIPELINE AND SERVICE. TRACER WIRE TO BE BROUGHT UP IN AT LEAST ONE VALVE IN EACH INTERSECTION. TRACER WIRE TO BE BROUGHT TO THE END OF EACH FIRE HYDRANT ON CULINARY LINES. (NOT TO EXCEED 500 FEET).
2. TRACER WIRE TO BE INSTALLED AND MAINTAINED ON TOP OF PIPE CENTERLINE DURING BACKFILL
3. TWO, THREE AND FOUR WIRE CONNECTIONS: STRIP WIRE ENDS, INSTALL IDEAL UNDERGROUND WIRE CONNECTOR, AND WRAP WITH THREE LAYERS OF SCOTCH 33 OR EQUAL, ELECTRICAL TAPE. OVERLAP THE TAPE WRAPPING, 6" ONTO THE WIRE INSULATION.
4. COPPER WIRE SHALL BE #12 AWG SOLID UF TYPE WITH CROSS-LINKED POLYETHYLENE INSULATION.
5. CONTRACTOR SHALL TEST TRACER WIRE FOR CONTINUITY PRIOR TO PAVING IN THE PRESENCE OF THE ENGINEER.
6. THE TEE/CROSS IS SHOWN WITHOUT VALVES AND IS INTENDED TO SHOW TRACER WIRE ROUTING ONLY.

TRACER WIRE INSTALLATION

N.T.S.

06/08

<p>HEBER CITY STANDARD DRAWING WATER 5</p>
--