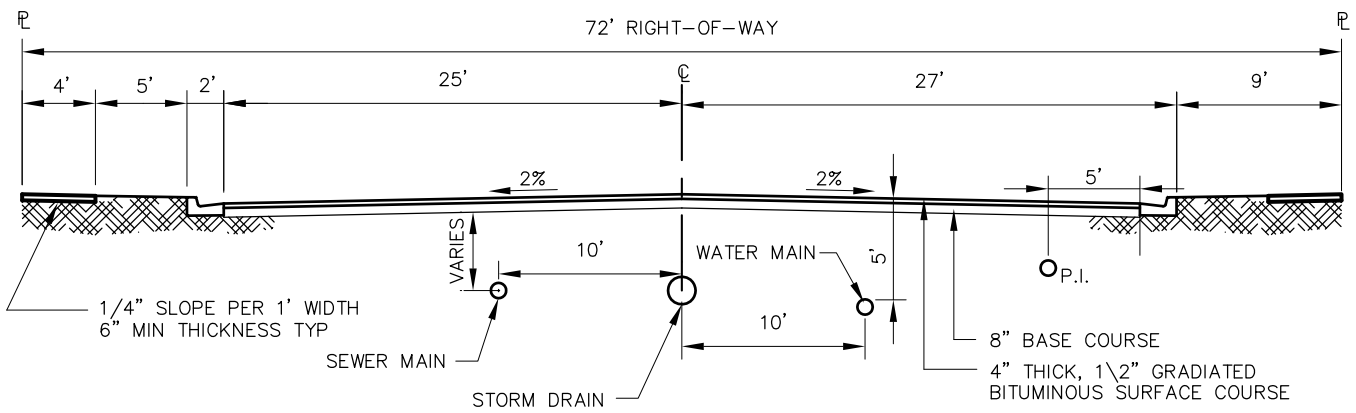


**COLLECTOR**



**ARTERIAL**

**NOTES:**

1. WHEREVER POSSIBLE, SANITARY SEWER SHALL BE INSTALLED ON THE DOWNHILL SIDE OF THE STREET.
2. WATER VALVES AND 6-INCH VALVE OPENING FIRE HYDRANTS SHALL BE LOCATED AS APPROVED.
3. A-1-a GRADIATED SUBBASE MAY BE REQUIRED WHEN EXISTING SUBBASE IS DETERMINED BY THE CITY ENGINEER TO BE UNSUITABLE.
4. COMMERCIAL SIDEWALK TO BE FIVE FEET WIDE

**STREET CROSS-SECTIONS  
& UTILITY LOCATIONS**

N.T.S.

06/08

HEBER CITY  
STANDARD DRAWING  
STREETS-2