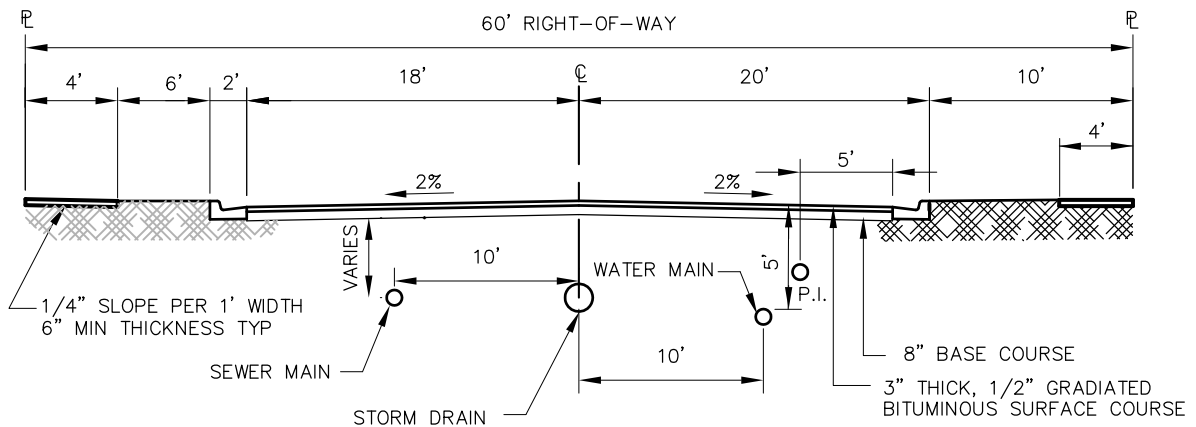


NON-RESIDENTIAL LOCAL



RESIDENTIAL LOCAL

NOTES:

1. WHEREVER POSSIBLE, SANITARY SEWER SHALL BE INSTALLED ON THE DOWNHILL SIDE OF THE STREET.
2. WATER VALVES AND 6-INCH VALVE OPENING FIRE HYDRANTS SHALL BE LOCATED AS APPROVED.
3. A-1-a GRADIATED SUBBASE SHALL BE REQUIRED FOR SECTION 2225.
4. COMMERCIAL SIDEWALK TO BE FIVE FEET WIDE MIN.
5. PARK STRIP REQUIRED ON RESIDENTIAL LOCAL ROADS.
6. MAXIMUM ROAD GRADE IS 8% WITHOUT CITY ENGINEERS APPROVAL.

**STREET CROSS-SECTIONS
& UTILITY LOCATIONS**

N.T.S.

06/08

HEBER CITY
STANDARD DRAWING
STREETS-1