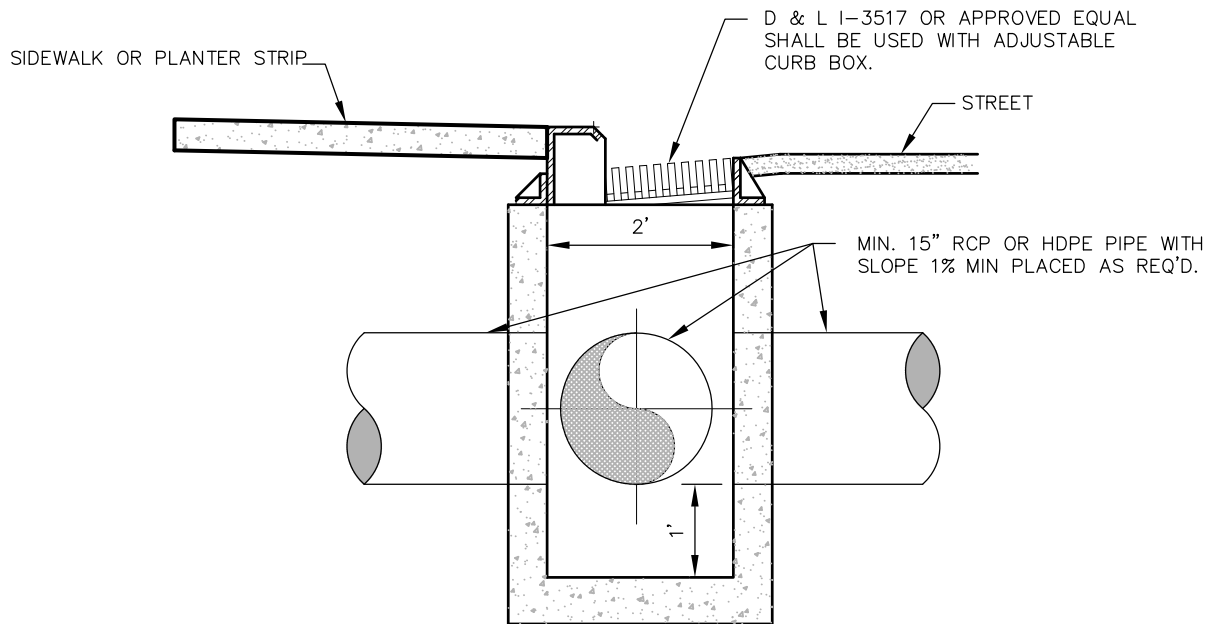
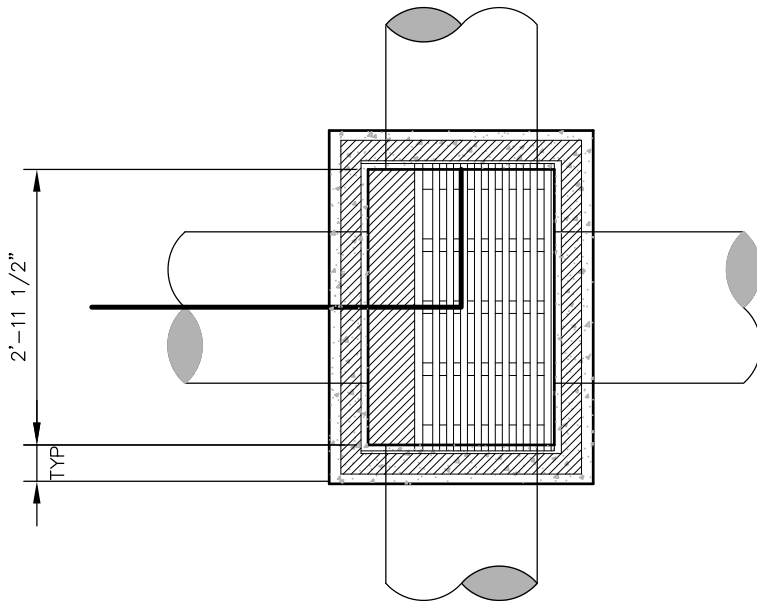


NOTES:

1. #4 REBAR SPACED AT A MINIMUM OF 12" O.C. HORIZ. AND 8" O.C. VERTICAL. 14" OVERLAP OR REBAR REQUIRED.
2. OPEN FACE CATCH BASIN TO BE USED ONLY AT THE CITY ENGINEERS DISCRETION.
3. D & L I-3517 GRATE AND FRAME WITHOUT HOOD MAY BE USED AT CITY ENGINEERS DISCRETION



CURB FACE DROP INLET BOX

N.T.S.

06/08

HEBER CITY
STANDARD DRAWING
STORM DRAIN-4