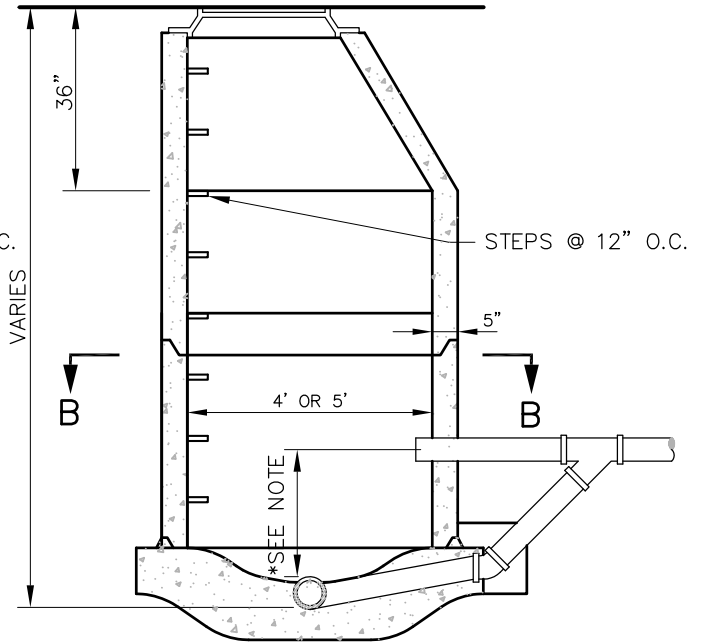
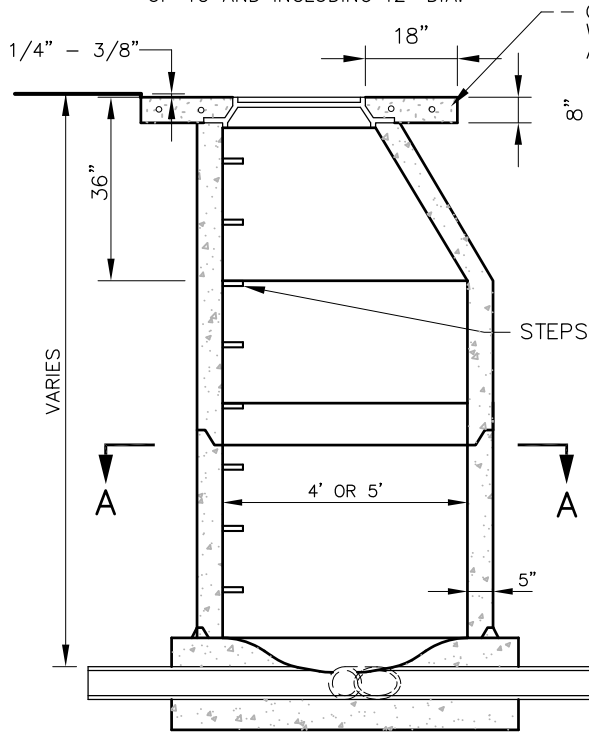


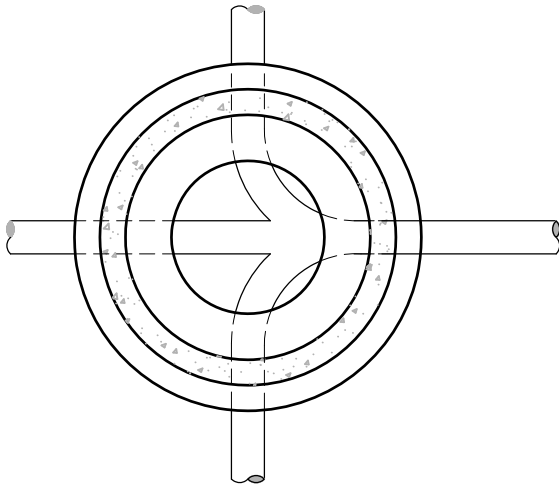
USE 5' DIA. MIN. FOR ALL PIPE 14" &  
LARGER USE 4' MIN. DIA. FOR ALL PIPE  
UP TO AND INCLUDING 12" DIA.

CONC. COLLAR  
WITH 2 #4 REBAR CONTINOUS  
AROUND COLLAR WITH 12" OVERLAP

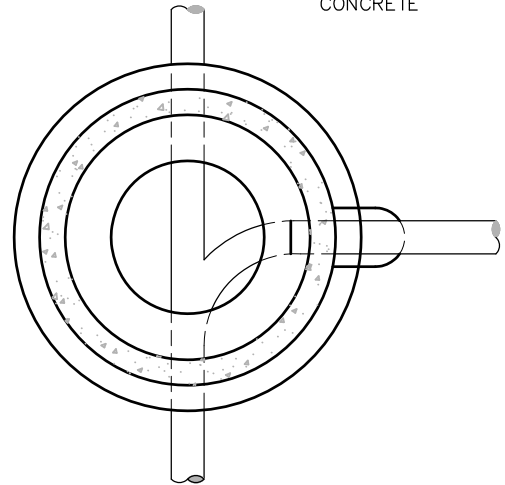
\*NOTE:  
MINIMUM AS DIRECTED BY  
CITY ENGINEER



DROP PIPE  
INSTALLED IN  
CONCRETE



SECTION A-A



SECTION B-B

**JUNCTION  
MANHOLE**

N.T.S.

**DROP  
MANHOLE**

N.T.S.

06/08

HEBER CITY  
STANDARD DRAWING  
SEWER-3