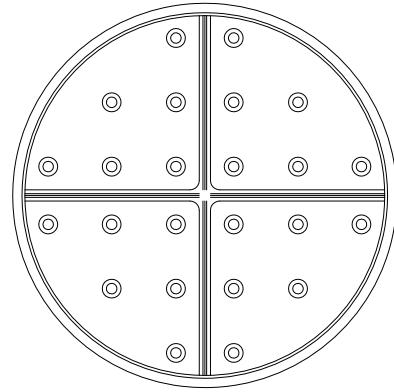
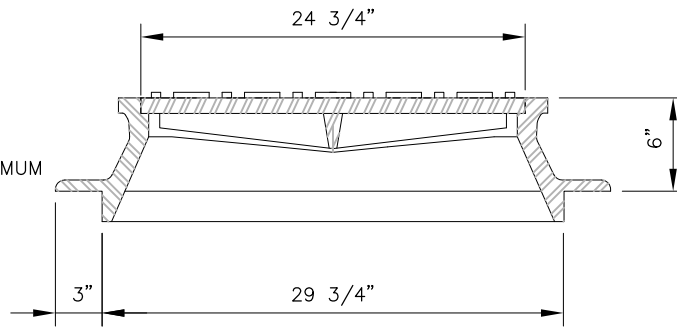


PLAN OF COVER AND RING



BOTTOM VIEW OF COVER

D + L SUPPLY #A-1180
HEAVY DUTY, 400 LB. MINIMUM



SECTION

MANHOLE RING AND COVER

N.T.S.

06/08

HEBER CITY
STANDARD DRAWING
SEWER-2