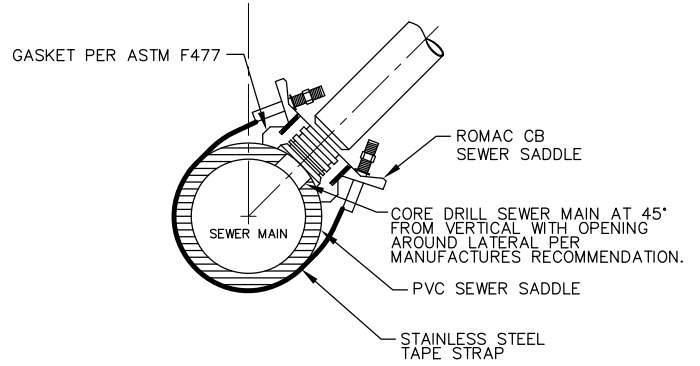


CLEANOUT DETAIL

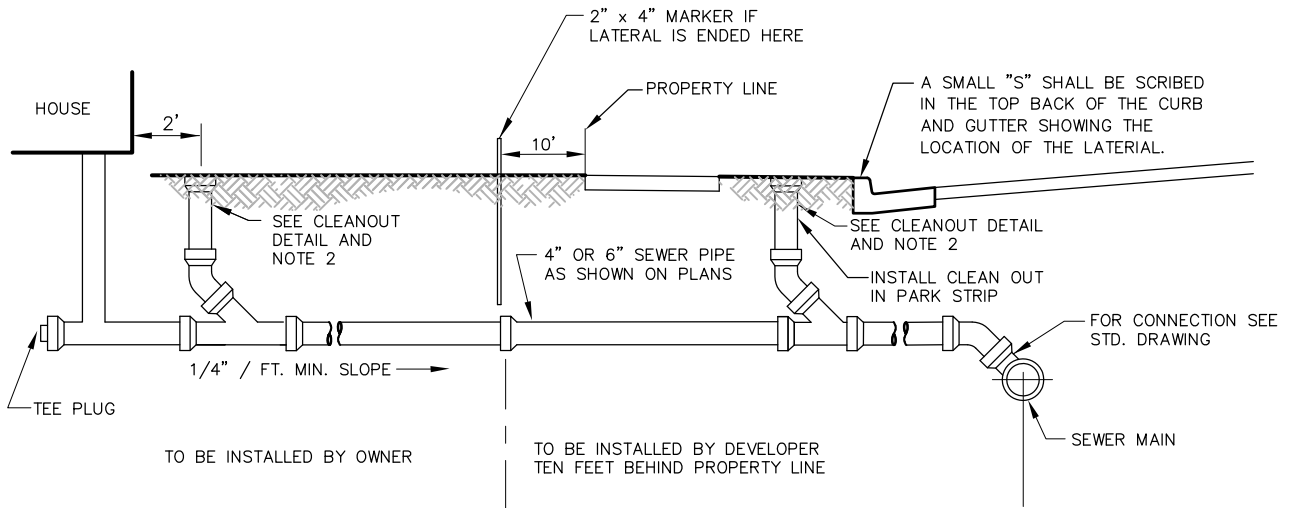
N.T.S.

INSTALLATION TO EXISTING SEWER LINES ONLY



SEWER SERVICE LATERAL

N.T.S.



NOTES:

1. PIPE GRAPHICS DO NOT NECESSARILY INDICATE TYPE OF PIPE TO BE USED.
2. MAXIMUM SPACING BETWEEN CLEANOUTS IS 100'
3. MAXIMUM ALLOWED BEND IN LATERAL IS 22 1/2 DEGREES
4. SEWER & WATER LATERALS ARE PROHIBITED IN COMMON TRENCH PER STATE CODE R 309-550-7.

SEWER LATERAL

N.T.S.

06/08

HEBER CITY
STANDARD DRAWING

SEWER-1